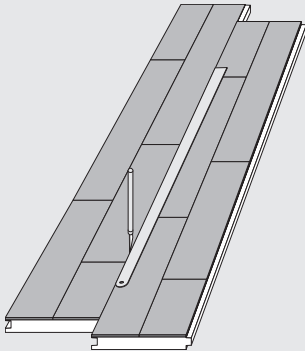


## Replacing a strip

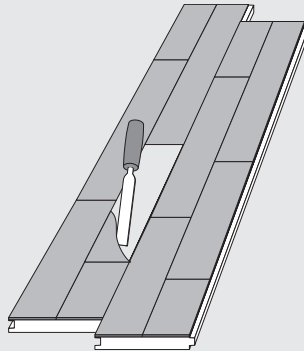
The damaged strip must be removed without damaging the lacquered edges of the surrounding strips. Do this by cutting through the lacquer in the groove around the actual strip. Use a metal ruler and a very sharp knife (figure 1).

Using a wood chisel cut away the damaged hardwood strip (figure 2). Then, cut away approx. 2mm into the next layer, leaving all 4 corners untouched. Choose a replacement strip with similar structure and colouration to the adjoining strips. We can deliver replacement strip, but these can also be removed from a left over board. The new strip must fit exactly into the recess from where the damaged strip was removed. It is easier to try out the strip if the edges are broken/cut 45°. Use a suction pad to remove the strip after you have tried it for size.

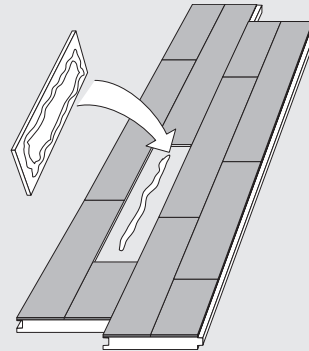
Using Plastic Padding or a double compound repair substance, spread a strip along the centre of the lower board and along all 4 lower edges of the new strip (figure 3). Press the strip down so that the surface is level with the adjoining strips. Hold down with your fingers until the repair substance has hardened (approx. 3-4 minutes). Have a cloth ready to remove any excess repair substance that may be pressed up to the surface. After the strip has been replaced it is well worth using a little filler. A well executed replacement with a factory prefinished strip is hardly noticeable if one is unaware of the fact.



**Figure 1**  
Cutting through the layer  
of lacquer.



**Figure 2**  
Cutting away of the  
strip using a wood chisel or a router.



**Figure 3**  
Depositing the repair  
substance.